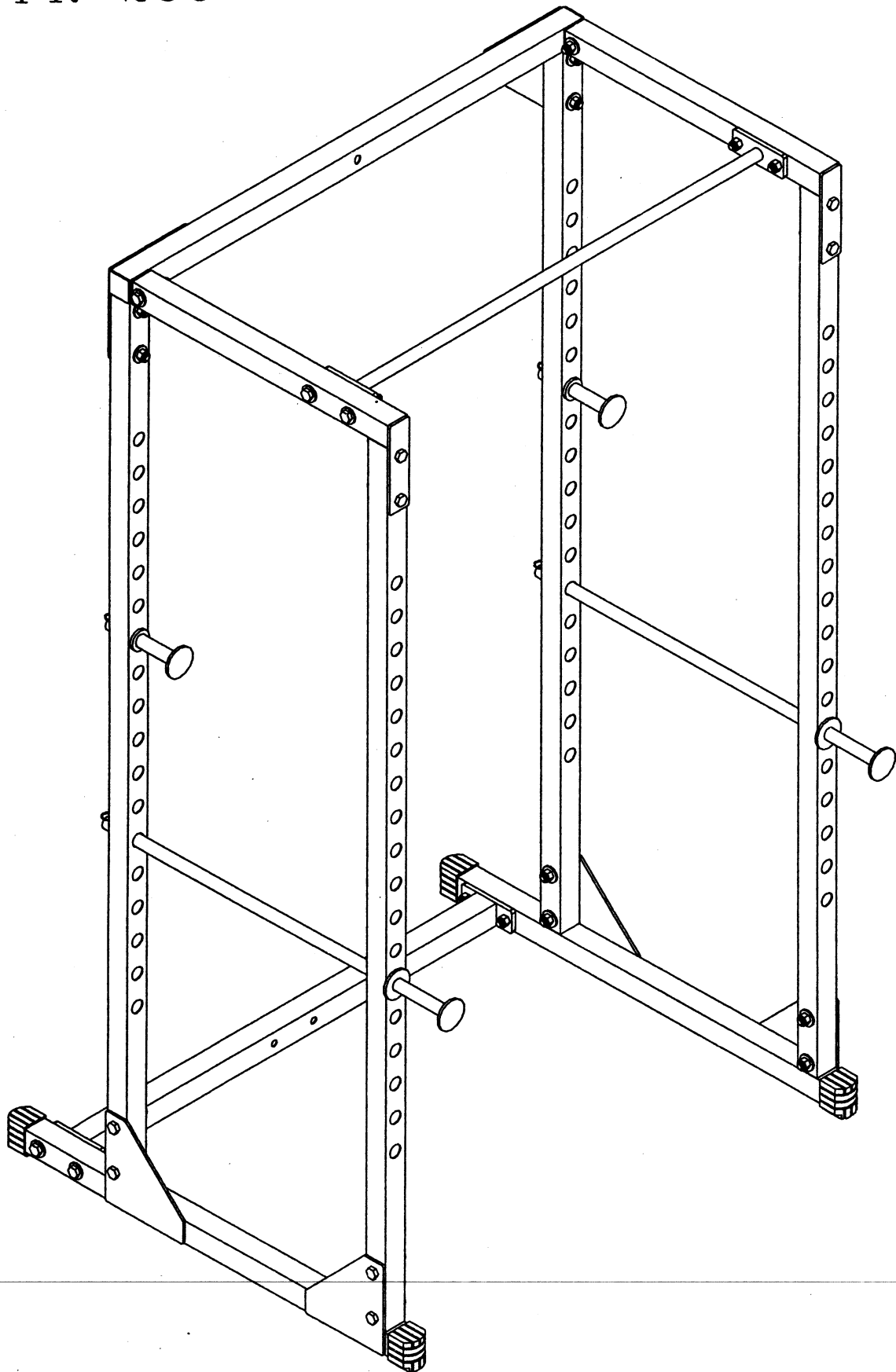


PPR-200

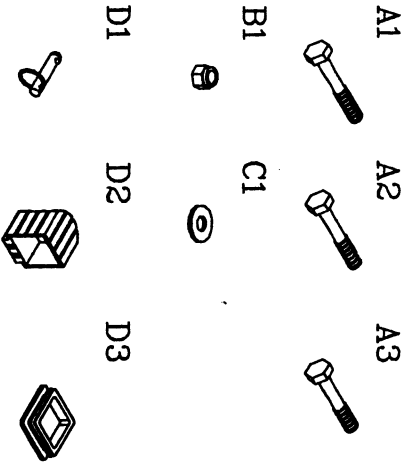


VERSION 0506

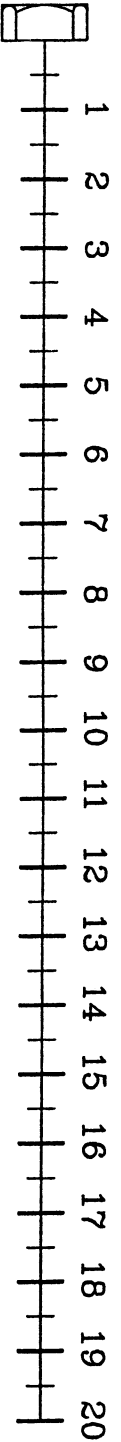
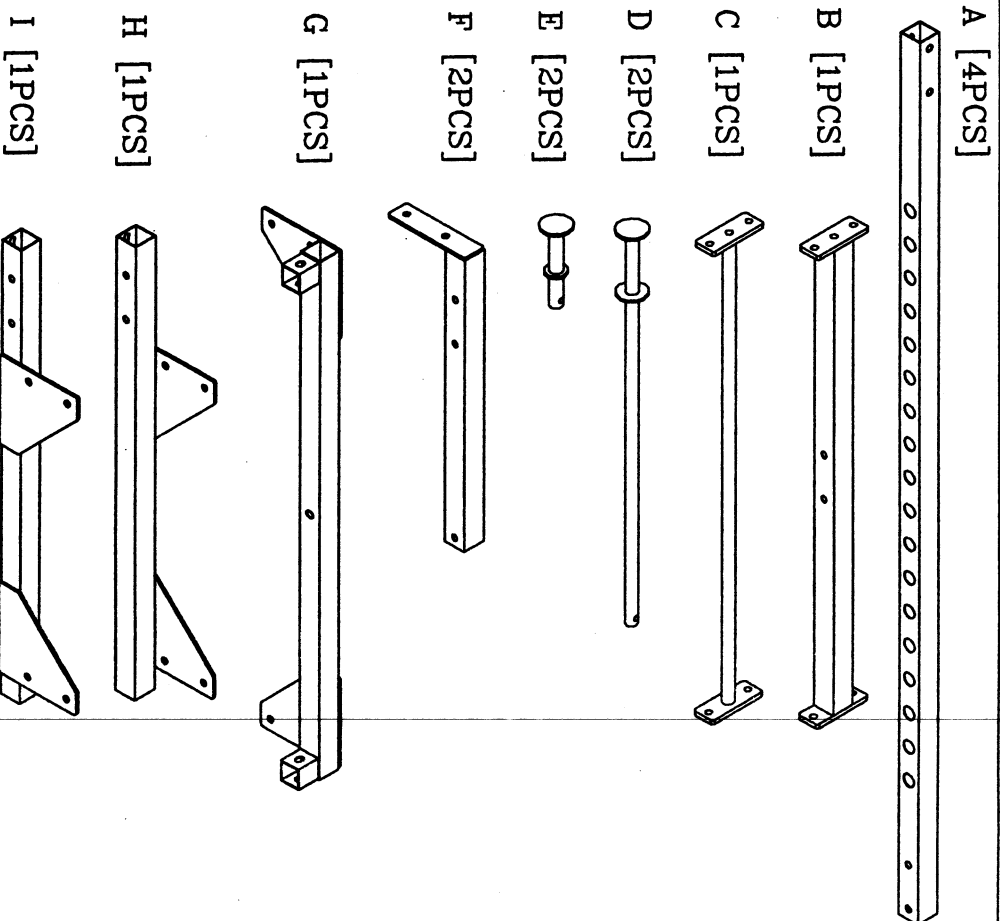
# PPR-200

## HARDWARE ILLUSTRATION SHEET

- Qty.
- A1. M10X75 HEX HEAD BOLT [4PCS]
  - A2. M10X70 HEX HEAD BOLT [20PCS]
  - A3. M10X65 HEX HEAD BOLT [2PCS]
  - B1. M10 NYLON LOCK NUT [26PCS]
  - C1. M10 (I.D) WASHER [28PCS]
  - D1.  $\phi$ 10X35mm PIN (8250-014) [4PCS]
  - D2. 2"X2" FOOT CAP (9212-003) [4PCS]
  - D3. 2"X2" END CAP (9211-005) [2PCS]



## PARTS ILLUSTRATION SHEET



# PPR-200

